

# Hear **Abouts**

June 2011

A Newsletter for the Civil Parish of Eglingham

<http://www.eglingham.info>



A seat used by many in South Charlton, locals and passing visitors, especially cyclists, was ripped out of its concrete footing and broken up during the night in late May.

The seat was located at the gate into the village garden. Is this petty vandalism or an attempt to steal the seat hampered by its feet being concreted in?

## **Petty Vandalism Hits our Parish**

Strong winds late in the month caused damage all over the parish with branches down in both South Charlton and Eglingham churchyards. Trees were also down, one being one of the very old ones lining the beginnings of the old road between South Charlton and Eglingham. This tree being probably one of the trees marked on the very first OS map of the village produced in the 1860s.



## **...along with some damaging winds**

Contact us @ The Croft, South Charlton, NE66 2NA  
Mob: 07784 853236 E-mail: [editor@eglingham.info](mailto:editor@eglingham.info)

**Editors Notes:** Welcome to the June edition of Hear Abouts, thankfully the penultimate one before we have a well deserved month's break! Apologies for the late arrival of this issue, but as I alluded to last month, summer gets busy and with long light evenings I'm not stuck behind a computer screen the 18 hours a day I am during the winter months.

Never the less, we've got there in the end with another jam packed issue, some favorite features return after short and long breaks, and others continue to take writing breaks (hopefully dreaming up cracking articles for next month's edition!) but I'll do my best to badger them until they cave in under pressure and submit a new article.

Please remember that Hear Abouts is not a closed secretive club, if you wish to help or have ideas for the magazine please don't be shy and get in touch with anyone on the team. Ian Grant is an easy fella to find for those on the Eglingham side of the hill, and those in South Charlton know where to find me. Unfortunately we have no one in North Charlton to act as a contact, any volunteers?!

*Andy Gray*

## Banners

For those that attended the Royal Wedding celebrations at Eglingham Village Hall in April will have noticed the banners which adorned the walls, and last month I asked for who provided them. Thankfully they have come forward.

Thanks to Linda Lowther of No. 40, Eglingham Village. If you would like similar done in the future please contact Linda by email on [lowtherlnd@aol.com](mailto:lowtherlnd@aol.com) or on 578505.

## Summer Break

Next month is the last issue produced before our summer break. So those organisations that need events advertised in July, August & early September, or those with opinions to be heard please get them in for the next edition (Deadline 20th June).

The website can be used at anytime to get word out of breaking news or events and reports, please continue to submit as normal. In fact with no edition to prepare we'll probably find sometime to get more content online. We're always looking for more people (preferably technically minded) to help us with maintenance of the website. Any volunteers please drop us a line! Cheers!

## Charity shop in Wooler 4th – 9th July

Eglingham and Old Bewick churches will be running a charity shop in Wooler during the first week of July. The money raised at this event is very important in enabling the two churches to stay heated and in good repair. To make the shop a success we need items to sell, raffle prizes and most importantly help with the preparation and running of the shop.

Items for sale can be delivered to the shop between 10.00am and 4.00pm on Monday 4th and Tuesday 5th July.

Help is required in laying out the shop on Monday and Tuesday. To ensure the shop is always manned from Wednesday 6th to Saturday 9th July a rota will be drawn up. To offer help, or if you have large items to transport, please contact Patricia Fleming 01668 217009 or Ruth Hunter 01665 578944

# Upcoming Events

Eglingham and Old Bewick Churches

## SUMMER FETE & GARDEN OPEN

Hedgeley Hall

Sat 11th June 2 - 4pm

Teas Stalls Plants

---

Tea in the Garden @ The Lodge, North Charlton

Saturday 18th June 2:30 - 5pm

Entry £4 inc. Tea & Cakes

Bar, Cake Stall, Tombola, Raffle, Alpaca's  
Proceeds for the Leek Club

---

## Ceilidh

@ Eglingham Village Hall

On the evening of Saturday 18th June

Tickets are £10 (Adults) £2.50 (kids under 14)

Pie & Pea Supper included and a glass of wine for the grown ups!

---

South Charlton Village Hall & Leek Club

## BBQ

Saturday July 2nd 7pm

Bar, DJ, Raffle etc etc

Contact Bob for further details and tickets on 579317

## Advance Dates

Open Garden

@ East Ditchburn

on Sunday 10th July for St. James Church,  
South Charlton

Parish Walk & Afternoon Tea

@Eglingham Village Hall  
on Saturday 16th July

Terrier Show

@ Eglingham Cricket Field  
on Saturday 9th July

Coffee Morning

@ North Charlton  
August 14th 11am-1pm  
Museum Open

Proceeds for the Leek Club

St. James South Charlton

Summer Fete

@ South Charlton  
on Saturday 9th July

*Further details for these events will hopefully be in next month's issue*



Dear Residents,

I am writing to advise all those interested that we intend to move our Excavator and Drill to Hazeldean Quarry shortly. We will then set the Quarry floor out in accordance with Planning Consent and prepare the block storage area. Once that is completed we will quarry some block ready for transporting when required.

We have been successful in securing several jobs in and around Edinburgh in Hazeldean stone and are pleased to announce a recent order for The Edinburgh University Quadrangle restoration and extension. Designed by Robert Adam in 1789 with the magnificent Greek Revival Interiors designed by William H. Playfair in 1819, the Quadrangle was never completed as in 1835 finances ran out. According to the Project background notes this project will resurface the Quadrangle and represents an interpretation of what Playfair may have done himself had funds not run out.

This work along with other orders see's some security for us in these challenging times and I am glad to know that this money is being spent in our district as opposed to somewhere else.

*Marcus Paine*

*Managing Director Hutton Stone Co Ltd*

## **Strong arms wanted!!**

Eglingham Church is in need of half a dozen strong people on June 11th. Their annual Garden Party will be held at Hedgley Hall this year and they need to transport tables and chairs to & from Eglingham Village Hall. A horse box has been arranged to do the transporting but a few strong helpers are required to load the box in Eglingham at 9.00am followed by unloading at Hedgley Hall a few minutes later. At 5.00pm we need to repeat the operation in the opposite direction.

If you could provide assistance please contact Ruth Hunter on 01665 578944.



# Little Acorns Pre-school 'A Woodland Adventure'

We celebrated and reflected upon, what had been a very busy and exciting Spring Term at Little Acorns by hosting a night in the woods 'South African style'. We were blessed with a wonderful warm April evening, lamb casserole simmering in the Poikey (a South African cooking pot) in one of the two fire pits, freshly baked beer bread and a glass of wine, an abundance of friendly chatter and laughter. The children played games and guided their parents around their imaginative playground. All the ingredients for the perfect party!



A new term begins and we are truly back on English soil, with the inevitable cooler, windy weather, however we have experimented with and sown a variety of seeds, have our very own tomato plants hanging in the Polly tunnel and cress and mustard waiting to be trimmed and added to our egg sandwiches. The children designed and painted pots before planting and creating miniature herb gardens for sale at the Village Plant Sale. We had so much fun exploring, with our senses, the many varieties of herbs, feathery, spiky leaves, orange, lemon and even sausage smelling plants! Had we discovered a secret ingredient of the renowned Gold Award Sausages from Turnbolls? Who knows, but best of all we raised £50 for the Village Hall.

We were delighted to welcome friends from Rock Hall, Ellingham and Hipsburn schools to share with us just some of our woodland adventures and outdoor experiences. So be warned if you happen to go down to the garden and woods, don't be surprised to see some woodland folk or fairies lurking in the flowers and undergrowth!!!!



## Nature Notes

Spring is in full swing. All of our migrants have arrived. Swallows and house martins have turned up in better numbers than usual. Remember it is an offence under the Wildlife and Countryside Act to disturb their nests even though their mess will be all over your window. Swifts have also arrived. They will be looking to nest under the slates of our roofs and lay two eggs in a very simple nest. Other notable migrants that have been seen in the village include singing blackcaps. Blackcaps are warblers that prefer woodland or areas of scrub. This year they have been seen singing in hedges in gardens and in the area of scrub.

The roadside verges are in their full glory. Cow parsley (Queen Anne's lace) is prolific. There are others such as the red flowers of red campion, the delicate upturned bell-shaped flowers of water avens, fine yellow flowers of crosswort, small elegant flower heads of common sorrel and ribwort plantain. These flowers provide the foreground that has



a backdrop of flowering hawthorn and elder and the emerging heads of numerous grasses. Some roadside verges along the look better than a Gertrude Jyckl flower bed.

The rabbit breeding season is well underway. Young bunnies have emerged from their burrows and are quietly munching their way through grassland, crops and gardens. There are a host of predators that are on the look out for a meal. Foxes have growing cubs that are starting to emerge from the dens. Stoats are dancing their way along hedgerows and buzzards are patrolling the skies. These and other help to keep numbers down but they are ever enough.

There is plenty to see in our Parish at this time of year. From the very small; spiders making their webs to larger wildlife such as buzzards patrolling the skies around hills.

*Jack Daw*

## South Charlton Village Hall - All change!

In recent months South Charlton Village Hall has seen some changes at the top of its management committee. At the AGM Bill Purvis was voted into the vacant Chairman position. Michael Stafford took over official treasurer responsibilities with June Lawson assisting in the job she has done for many years. At the following meeting Alan Hodgson decided to give up his role as secretary and the job passed to Andy Gray.

We'd like to publicly thank both these individuals for the many years of excellent service in the roles they did, the hall would not be the venue it is now without their dedication and hard work.

## Eglingham Village Hall

The events group for Eglingham village hall have been busy planning various events for the next few months.

A late spring clean has been arranged on Saturday 4th June after “Coffee and Chats”. A light lunch will be provided for all volunteers (please bring cleaning materials!) and it is hoped to have the hall gleaming ready for the **Ceilidh** which is to be held on **18th June**. Tickets are £10 per adult, £2.50 for children under 14 yrs. The price includes a pie and pea supper with a glass of wine for adults.

On **Saturday 16th July** there will be the annual **Parish Walk and afternoon tea**. Last year was well supported and hopefully will be once again.

Other events planned are a BBQ and fun day in August, a Halloween coffee evening with a fancy dress competition for children and a pumpkin/turnip lantern competition. On 18th November there will be a wine and cheese tasting by Michael and Gareth Bateman who have the wine shop in Narrowgate, Alnwick. Although a busy month for many, we hope to host a Christmas Drinks evening in



December and in January there will be a party to celebrate the New Year and to thank everyone for supporting the village hall. In between these events there will still be the monthly “Coffee and Chats” mornings - with a bookstall - and we hope to run some film nights and have a quiz night.

Look out for details of these events in future Hear Abouts!

*Joanne Angus*  
*Village Hall Events Group*

### **A request from Kay and John Waters**

Our nephew is in Afghanistan at the moment (again!) and we want to send him parcels every now and then as he's 6'7" and on field rations at the moment!

If anyone has any fairly small (about 12" long) but sturdy boxes, please could you save them for me. We don't need large ones as when full they would weigh too much (we can send as many as we like for free as long as they weigh less than 2kg).

Please email [kay.waters54@yahoo.co.uk](mailto:kay.waters54@yahoo.co.uk) It would be much appreciated!

## Sports Fixtures

### Eglingham CC

Sat June 18 - Gilmorton (h)

Sun June 19th - Blagdon (h)

Thur June 23rd - Borderers (h)

Sun June 26th - Alnmouth (h)

Sat July 3rd - Robbos (h)

### Rock CC

Sat 11th June - Warenford (h)

Sun 12th June - Mitford (h) Cup

Sat 18th June - Alnmouth (a)

Sat 25th June - Berwick (h)

Twenty20 then kicks off on 2nd July vs Embleton, Tue 5th vs Tillside and at home on 9th July vs Howick

## Plant Sale

South Charlton Village Hall held their annual plant sale this past month. Always well supported and this year was no exception. Amongst the regular plants for sale, the Little Acorns "herb garden in a pot" were on sale along with the chance to enter the new hanging basket competition.



## Annual Parish Meeting

The Annual Parish Meeting of Eglingham Parish Council was held at South Charlton on Friday 13th May followed by the normal Council meeting, with Bill Purvis in the chair. Councillors attending were Fiona Robson, Marion Wilson, Jean North, June Lawson, Eddie Stafford, John Taylor with Geoff Osmond and David Alston also present.

Apologies were received from April Potts, Ian Grant and Andy Nicholls.

The minutes of the previous Parish Meeting were read, proposed and accepted and signed as a true record.

Bill gave the Annual report commenting on the eventual completion of the footpath to the Terrace, the installation of the electronic speed sign at the western approach to the village which seemed to be having an effect on traffic speed and the slow process of acquiring the school field following the closure of the school for use as a village amenity.

The financial report was detailed and it was noted that the report had been approved by the internal auditor. Donations made by the council were reported and accepted by members.

The attendance record of councillors for the year was noted with John Taylor remarking that it was a statutory duty on all councillors to attend regularly.

## Attendances

Bill 6 Alan 6 Eddie 6 Jean 6 June 6 Fiona 3 Marion 4 April 2 Ian 3 Andy 1

John Taylor gave details of highway works in the South Charlton area and the Parish in general. He also stated that the firm now operating the quarry at South Charlton are responsible for the upkeep of Ditchburn road up to the quarry entrance. Repairs to parts of the East Ditchburn road had been completed, with general pothole repairs and surface dressing in the area due to be completed by the Summer.

## Parish Council Meeting

After noting councillors present and absent the Council meeting began with the election of officers to serve for the forthcoming year. John Taylor took the chair and asked for nominations for the position of Chairman. Alan proposed Bill, Eddie seconded and the nomination was carried unanimously. Fiona Robson was proposed to be vice Chair by Bill and seconded by Marion and this was carried unanimously.

Bill took the chair.

The minutes of the previous meeting at Eglingham on 8th March 2011 were proposed to be accepted by June and seconded by Marion. Bill signed them as a true record.

The use of land at Charlton Mires was still subject to discussion and it was agreed to write to the County Enforcement Officer to make sure the conditions of the decision notice were upheld.

Geoff Osmond gave a very descriptive presentation on the current situation at Eglingham Village Hall and the Eglingham School playing field. Geoff introduced his talk by saying the support at recent events in the Village was very encouraging. A new Village Hall Committee has been formed and he distributed a leaflet showing the simple expansion of the remit of the Committee to allow unifying of village activities. The Hall is a registered charity but the proposed structure was not acceptable to the Charity Commission so an alternative option was drawn up to satisfy the Commission. This option showed the formation of a Community Association working with the Village Hall Committee and would be under the auspices of the Parish Council. Fiona stated that the proposal put forward should be supported and given a chance and this met with general agreement.

Fiona also gave an update on the school field and in particular the grass cutting, with agreement that the acting sub committee be left to carry on the management at the present time.

The proposal put forward by Geoff was accepted by the members present.

Requests for new litter bins at Eglingham and an additional dog litter bin at South Charlton were received and given approval with the clerk investigating suppliers and costs.

Attendance at meetings was discussed along with the ongoing problem of slow or non return of details of planning applications from certain councillors houses in Eglingham, with the result that dates for responses from the Parish Council to County Hall are regularly missed.

Date time and place of next meeting - Friday 8th July at Eglingham

# Footsteps in the Past

## The Walk

Start at the Shepherd's Rest on the Rothbury road from Alnwick. Follow the line of the remarkable wall built around Hulne Park, then turn left and proceed down the access road from the 'Golf Ball'. Cross the Rothbury road and follow the disused track of the Alnwick Cornhill railway. Follow the track to Hobberlaw House, past the golf course and return to the Rothbury road.



## The Hidden Gem

There is little doubt that Northumberland has many hidden gems and it's often only through rambling that they come to light. After completing a very soggy walk (Alastair, one of our veteran walkers and leader for this particular expedition, specialises in glutinous, mud-sucking boots of a walk) we passed Alnwick golf club.

Tucked away, at the top of a hill and surrounded by trees, stands the almost forgotten Peace Monument, although to describe it as such when it records the carnage inflicted on Britain's enemies, seems inappropriate to say the least. Commissioned by Henry Collingwood Selby this monument to the former glories of England was erected in the grounds of Swansfield House in 1814. It commemorates England's success in defeating the French in 1814, and in particular the part played by William Pitt, Wellington and Nelson.

The monument stands in a small wood within sight of the golf club and is surmounted by a platform with a small pedestal and ball finial.

There is a story that the trees surrounding the column were originally planted to commemorate the ships at the Battle of Trafalgar and this may well be true as the trees in the area of Davidson's Obelisk were supposed to be a living replica of the Battle of Aboukir.

## Update

I'm still searching for these elusive South Charlton pubs, but some items have come to light.

Including a copy of the 1769 "Armstrong" map of Northumberland and a map of the "Mannor of South Charleton" (complete with dreadful Chaucer-like spelling!) which is thought to be from 1620.



# Rural View

By now I thought I would be enlightening you all with anecdotes of lambing triumphs and disasters, however unlike many people who have now fully recovered from the depths of snow we were all presented with during the winter months here at Brockley Hall we are still feeling the effects. The snow arrived during the tugging season and the conditions meant that normal farming operations were seriously affected, one job which was delayed was removing the tups from the breeding ewes on a specific date which meant we would not still sorting out pregnant ewes on the approach to June, least said the better, hopefully next month coverage of the official closing ceremony can be published.

All in all the main lambing period went well, continuous dry days prevented the normal clarts showing face around the feed troughs, there were no soaking wet ewes to rugby tackle to the ground and then be dragged through the Somme like lambing field, instead the ewes were housed more than they were out as they were getting too hot in the spring sun. There is always a down side though, the spring barley was drilled into Sahara desert like conditions, the only areas which received moisture was the small foot square patch which appeared every other acre or so where I had to help the drought like conditions, this was helped by the consumption of many litres of water due to the air con packing up on the tractor resulting in 4 days driving a greenhouse on good year tyres up and down the ploughed fields.



In May came the annual ceremony of convincing a large number of suckler cows with calves that the 6 months of winter is now over and they have to leave their straw beds and head out onto the green grass fields. Through centuries of evolutions have meant that Aberdeen Angus cross cows now have the ability to run flat out diagonally across fields whilst grazing with their head down and calling for their calf with a mouth full of grass who is generally legging it in the opposite direction alongside someone else's mother. The farm is now quiet with buildings empty of livestock and their contribution to the stock pile of organic fertiliser giving the place a real empty feeling.

The past few weeks due to Wedding and Christening invitations has meant I have been off the farm and visiting foreign parts of the UK all of which were the other side of the Tyne! Not only is it good to get out and see new parts of the country but also we know how much mother and mother in law love to look after the dogs and horses too so it's only right to let them and keep them happy! This next month brings the clipping, with that thought my back has just tightened and gone into spasm, now where's that deep heat and the ibuprofen gone?

*Michael*

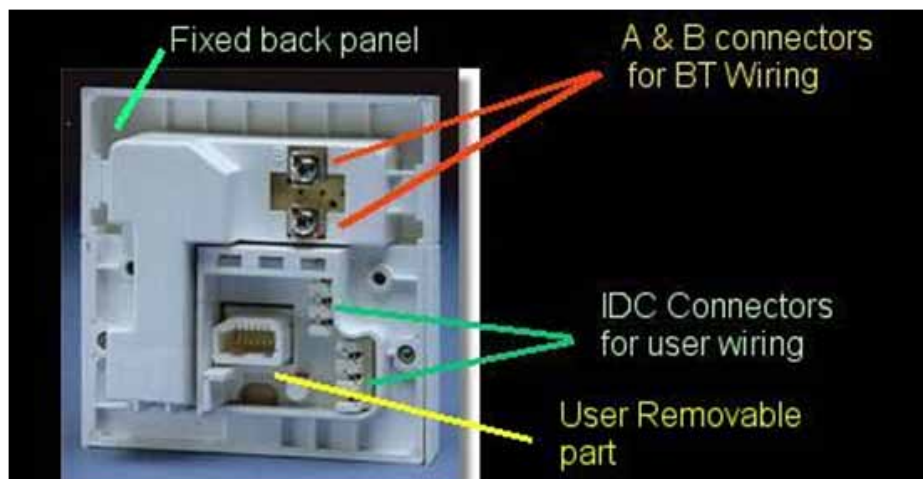
## DIY Corner

### Adding an extra telephone point to your property

BT will charge you £150 for the privilege of this when it is a relatively simple procedure and while it is rare to come across any problems, providing you don't hammer the socket and follow a few simple steps you should be ok.

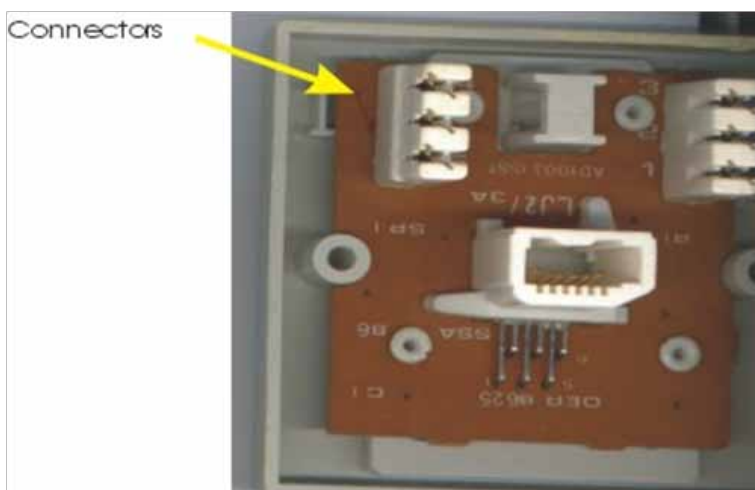
You are allowed to install extension wiring so long as the connection to the master socket is via a plug, or in the case of the master socket with a detachable lower half, via the connectors on that section. If you decide to connect directly to the master socket or install/replace a master socket you should be aware that you are in breach of your licence to use the phone service and your service provider may charge if they have to come to rectify a fault caused by your efforts.

**NEVER** connect un-approved devices which take power from the mains to the telephone system. Even if you survive the mains on the cabling the poor wireman sitting in a muddy hole some way away trying to find a fault may not.



Reverse side of the master where your extension cables fit. (idc connectors)

Slave socket used as the extension from the master socket



In the diagram above the connectors on the reverse of the socket will be labelled 1-6

Most diy stores provide telephone extension kits with one end fitted with a plug for the master and the other end with 6 wires sheathed in pvc.

Attach the slave socket to the required location and then strip the ends of the sheathed telephone cable and wire as follows

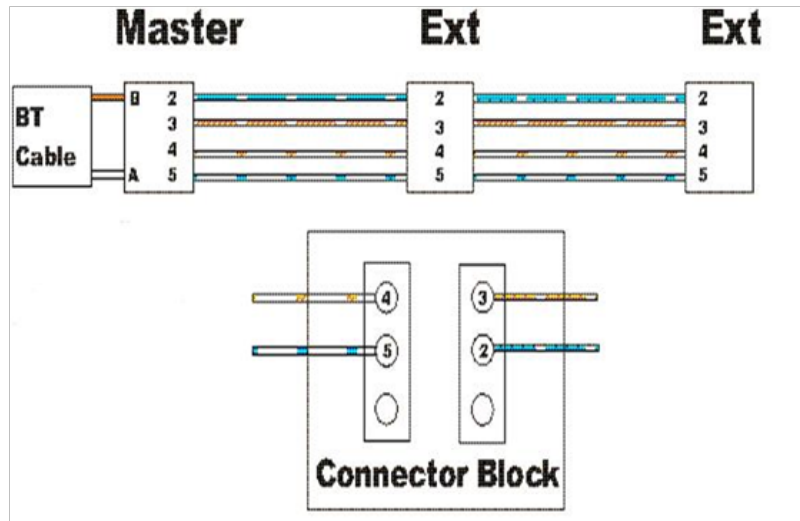
Wires 2,3 and 5 are the important ones to get right and wire 4 can be fitted for neatness

where wires 1 and 6 or the remaining wires can be removed.

Connection colours

- |   |                         |                    |
|---|-------------------------|--------------------|
| 1 | no connection           |                    |
| 2 | blue with white bands:  | speech and ringing |
| 3 | orange with white bands | ringing            |
| 4 | white with orange bands | not usually used   |
| 5 | white with blue bands   | speech and ringing |
| 6 | no connection           |                    |

Finally screw the face plate onto the slave socket, plug the jack into the master socket and your phone into the extension and check for a dialling tone.



If you have any problems or any questions regarding electrical installations in your property then please do not hesitate to contact me via the website in the question box provided.

[www.rsfelectricians.co.uk](http://www.rsfelectricians.co.uk) Best of luck!

## Heating Oil

I am writing to gauge reaction to forming a heating oil buying group within the parish with the intention of saving money on what is getting to be a significant domestic outlay.

Such a group in Oxfordshire, recently featured on the BBCs The One Show, claim to make savings of around 10% on effectively bulk buying their heating oil - but not only that, it saves delivery miles - has anyone noticed the odd day when several deliveries have been made by more than one supplier in the village?

Obviously this will need a reasonable number of households to join together to get such a discount plus a degree of flexibility to organise deliveries on set days. But now is the time to embark on this when oil consumption has gone down with the warmer weather and we can think in terms of top-ups or ekeing out those last few litres to join a bulk delivery.

I am happy to take this further with oil suppliers but need to know how much interest there might be in the "Hear Abouts" area. Please register your interest by e-mailing [david.tj24@btinternet.com](mailto:david.tj24@btinternet.com) and see [www.oilbuying.co.uk](http://www.oilbuying.co.uk) for further background info.

*David Jackson*

# Church Business

## South Charlton Services

Sunday 19th June - 11am

Sunday 26th - 6pm - Child Friendly Service

Sunday July 2nd - 11am

## Dates of Note

18th June - Coffee Morning in aid of West End Refugee Centre @Glendale Hall, Wooler

July 9th - St James Church Summer Fayre

July 17th - Licencing of Rev. Marion Penfold

July 24th - Patronal Festival 6:00pm

September 30th - St James Harvest Festival 7:00pm



## Eglingham & Old Bewick

Church news

Next month we will at last be able to welcome our new vicar, Rev Marion Penfold and her husband Bill to our community. Their arrival seems to have been a long time coming but I am sure we will all find it well worth waiting for. They will move into the vicarage in early July and we wish them well in their new home.

Marion's installation as priest-in-charge of Eglingham with Old Bewick, South Charlton and Ingram will take place at St. Michael and All Angels, Ingram on Sun 17th July at 3pm. An invitation is extended to all her parishioners to attend this service, share in this important occasion and show support for her in her ministry with us.

Her first services at Eglingham and Old Bewick will then be;

Sun 24th July 9am Holy Trinity, Old Bewick.

Sun 31st July 10am St. Maurice, Eglingham

All these services will provide an ideal opportunity to meet Marion so come along and join in giving her a warm welcome.

While we are still officially "Vicarless", if you need to speak to someone about Church matters, please contact to one of the churchwardens, namely:

Eglingham: Ruth Hunter, (01665) 578944

Old Bewick: Patricia Fleming, (01668) 217009

South Charlton: June Lawson, (01665) 579207

Eddie Stafford, (01665) 579262

If you need the services of a priest, please contact, in the first instance, the Team Rector: The Revd Bob Burston, (01668) 281551.

Otherwise contact: The Revd Jeffrey Smith, (01668) 281468.

...and finally a load of jokes

This page is exclusive for print edition issues only this month

## Guest Joke of the Month...

During some excavation work, a team of Israeli archaeologists discovered a previously undetected cave. They were very excited because the following five symbols were carved on one wall of the cave:

A woman, A donkey, A shovel, A fish, & A Star of David

The archaeologists declared this a unique find. The carvings were thought to be at least three thousand years old. They carefully cut out the piece of stone holding the symbols and sent it in to the Tel Aviv Museum. Soon, archaeologists from all over the world were invited to discuss the meaning of the markings. The chairman opened the meeting by pointing to the first symbol and saying: "We can judge from the first symbol that this race was family oriented and held women in high esteem. You can also tell that they were smart enough to train donkeys to help them till the soil. The shovel symbol means they had tools to work with. Their intelligence is highlighted by the fish, which means that when their crops failed, they would take to the sea for food. The last symbol means they were evidently Hebrew." The audience applauded enthusiastically.

Suddenly, a little old man stood up in the back of the room and said, "Idiots! Hebrew is read from right to left. This is what it says: 'Holy Mackerel, Dig the Ass on that Woman.'"

## Useful Numbers

### Village Hall contacts:

#### South Charlton

Andy Gray 07730 559223

#### Eglingham

Penny Blackmore 01665 578327

### Local Councillor

John Taylor 01665 603825

NHS Direct: 08 45 46 47  
[www.nhsdirect.nhs.uk](http://www.nhsdirect.nhs.uk)

Consulting Rooms 01665 602388

Bondgate Surgery 01665 510888

### Parish Council Chair

Bill Purvis 01665 579255

### Clerk to the Parish Council

Alan Hodgson 01665 579494

## Advertise In Here

'1/4' page advert (60mm x 70mm)  
£25 (business in parish) or  
£30 (business outside parish)

A5 leaflet or flyer  
Commercial: £15 to deliver 200  
copies (1/4 page ad also to be  
taken)

'Hear Abouts' design & print:  
£38.00 produce & deliver 200  
copies (no ad required)  
'not for profit' organisation in  
the parish ; no charge for  
delivering your leaflets  
ring 01665 579479

*Note: Graphics and photos not supplied by persons contributing to the publication have been mercilessly ripped from Google Image Search. Copyright for these images remain with the original authors.*